

Axis^{AX}

Intelligent I/O Relay Output & Switch Monitor

The Advanced Intelligent I/O Relay Output & Switch Monitor (55000-820ADV) is an application specific addressable module for use with the Axis^{AX} Series Intelligent Fire Alarm Control Panels. Each module is SLC loop powered, eliminating the need for additional field wiring and external power supplies.

Designed for installation on Advanced Axis^{AX} Series SLC (signaling line circuit), the 55000-820ADV provides a single initiating device circuit (IDC) input, an independently controlled Form-C relay contact output, and an unmonitored optically isolated voltage input. The 55000-820ADV utilizes the Advanced unique sub-addressing for both the independently controlled relay and the optically isolated voltage input. By sub-addressing these I/O features, Axis^{AX} Series system point capacities are expanded with installation, programming, and commissioning time minimized. The 55000-820ADV mounts to the front of a standard 4" square or 2-gang electrical outlet box.

The IDC input of the 55000-820ADV is capable of being wired Class A or B and can monitor a single contact device or a group of devices. Contacts can be normally open (N.O.) or normally closed (N.C.) ranging from heat detectors, linear heat detectors, 4-wire conventional smoke detectors, waterflow switches, tamper switches, manual pull stations, switch input points for control, or any other supervised input requirement. Though the IDC input can monitor any number of contact devices, it is recommended not to mix alarm, supervisory, or security contacts on the same IDC module circuit.

Compatible with the Axis^{AX} Series Dynamix I/O relationship programming, the relay output of the 55000-820ADV can be individually assigned to any input or output relationship, output group, timing function, gated function, invert operation, etc. to perform project specific control operations. Ideally suitable for elevator control, HVAC shutdown, door holder release, or similar ancillary functions, the 55000-820ADV relay is rated 24 VDC @ 1 Amp (resistive) or 30 VAC .5 Amp (resistive).



Unique Features:

- SLC Loop-Powered & Sub-Addressable
- 4" Square or 2-Gang Electrical Box Mounting
- Flexible Programming
- Durable Construction
- Cost-Effective & Trouble-Free Installation

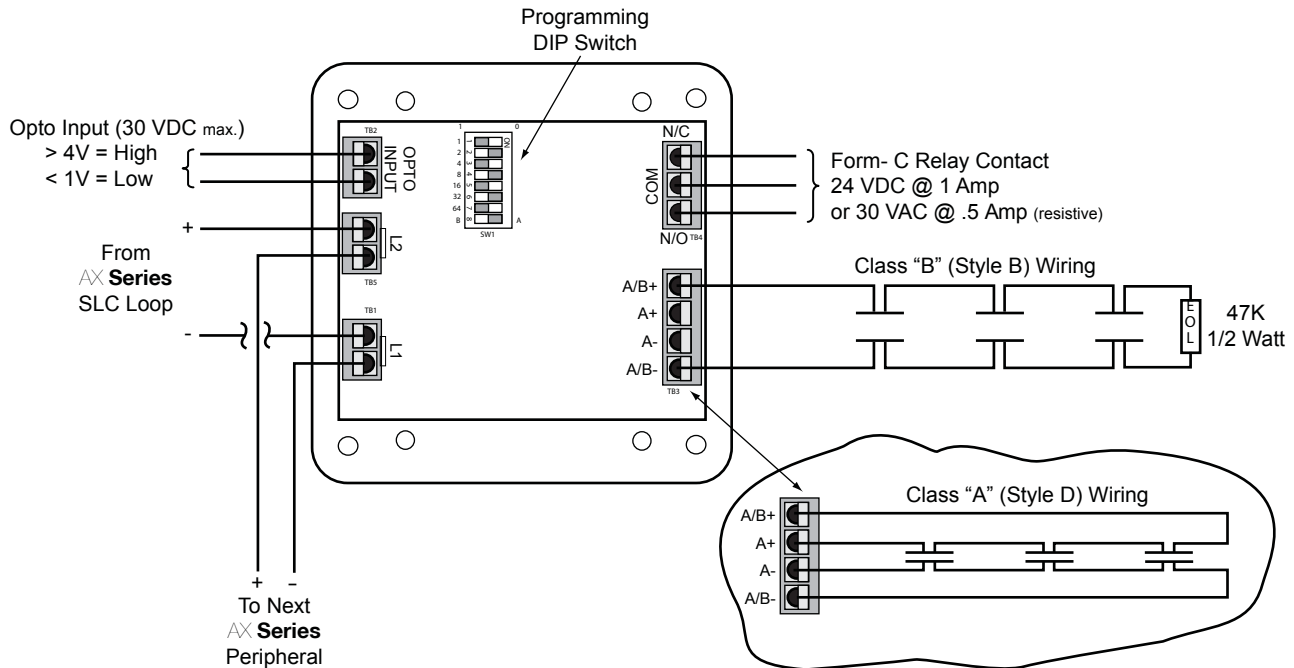
Features:

- Supervised Initiating Device Circuit (IDC)
- Class A or B Wiring
- Independently Controlled Form-C Relay Contact
- Axis^{AX} Series Dynamix I/O Relationship Programming
- IDC Activation Status LED
- Optically Isolated Voltage Input
- Cost-Effective & Trouble-Free Installation

Listings and Approvals:

- ETL ANSI/UL 864 Listed: 3118002NYM-001B
- UL file: UOXX.S7003 / ML file: S24460
- CSFM Approved: 7300-1713:108
- NYC MEA: 294-95-E

I/O Relay Output & Switch Monitor - 55000-820ADV



The optically isolated voltage input of the 55000-820ADV is utilized for special applications when unsupervised status monitoring of a voltage input is required (i.e. HVAC status, ancillary product status, manufacturing process equipment status, etc.).

Each 55000-820ADV incorporates an integral eight position programming DIP switch which allows for device addressing and wiring classification definition. The module contains a red status LED which illuminates steady during active condition of the IDC input.

Ordering Information

55000-820ADV Intelligent I/O Relay Output & Switch Monitor

I/O Relay Output & Switch Monitor Specifications

Voltage	17-28 VDC, w/Communication Pulses 5-9 VDC
Operating Current	
Quiescent	0.85 mA
Alarm	0.85 mA
w/LED's	5.85 mA
Line Impedance	100 Ω
Wiring Classification	Class A or Class B
End-of-Line Resistor	47 KΩ, 0.5 Watt (Class "B" only)
Relay Output	Form-C
Rating	24 VDC @ 1 Amp or 30 VAC @ .5Amp (resistive)
Optically Isolated Input	Unsupervised
Voltage	35 VDC (Max.)
Input	Programmable Active High (> 4V) or Low (< 1V)
Wiring	Screw In-Out Terminals
Mounting	4" Square or 2-Gang Electrical Outlet Box
Dimensions (Diameter & Height)	4 1/2"W x 4 1/2"H x 1"D
Weight	2.8 oz
Operating Temperature	32°-120°F (0°-49°C)
Humidity	10-93% (non-condensing)

As our policy is one of constant product improvement the right is therefore reserved to modify product specifications without prior notice.



Advanced Fire Systems Inc
100 South Street, Hopkinton, MA 01748

Tel: (508) 435-9995
Fax: (508) 435-9990
Email: usa@advancedco.com
Web: www.advancedco.com