

Axis^{AX}

Intelligent Dual Switch Monitor

The Advanced Intelligent Dual Switch Monitor is an addressable module for use with the Axis^{AX} Series Intelligent Fire Alarm Control Panel SLC Loops. Each module incorporates two (2) independent, individually programmable, initiating device circuits (IDC), providing cost-effective solutions in areas requiring multiple addresses.

The IDC circuits are each capable of monitoring a single contact device or a group of devices. Contacts can be normally open (N.O.) or normally closed (N.C.) ranging from heat detectors, linear heat detectors, 4-wire conventional smoke detectors, waterflow switches, tamper switches, manual pull stations, switch input points for control, or any other supervised input requirement. Though each IDC circuit can monitor any number of contact devices, it is not recommended to mix alarm, supervisory, or security contacts on the same IDC circuit. Each initiating device circuit is separately addressed and can be wired Class A or B. A typical application for the Dual Switch Monitor would be the individual monitoring of waterflow and tamper switches located at a sprinkler system riser.

Incorporated with each individual IDC circuit is a built-in priority interrupt feature which allows rapid response capabilities from highly critical contact devices (e.i., manual pull stations, etc.).

Two (2) eight position programming DIP switches are provided on each Dual Switch Monitor for IDC circuit addressing and wiring classification definition. The module mounts to the front of a standard 4" square or 2-gang electrical outlet box. Displayed on the front of each module are two (2) red status LEDs that independently illuminate steady during active condition of the associated IDC circuit.

Compatible with the Axis^{AX} Series Dynamix I/O relationship programming, the Dual Switch Monitor can be individually assigned to any input type and programmed to activate any output relationship, output group, timing function, gated function, etc. to perform project specific monitoring and control operations.



Unique Features:

- 4" Square or 2-Gang Electrical Box Mounting
- Flexible Programmability
- Durable Construction
- Cost-Effective & Trouble-Free Installation
- Integral Priority Interrupt

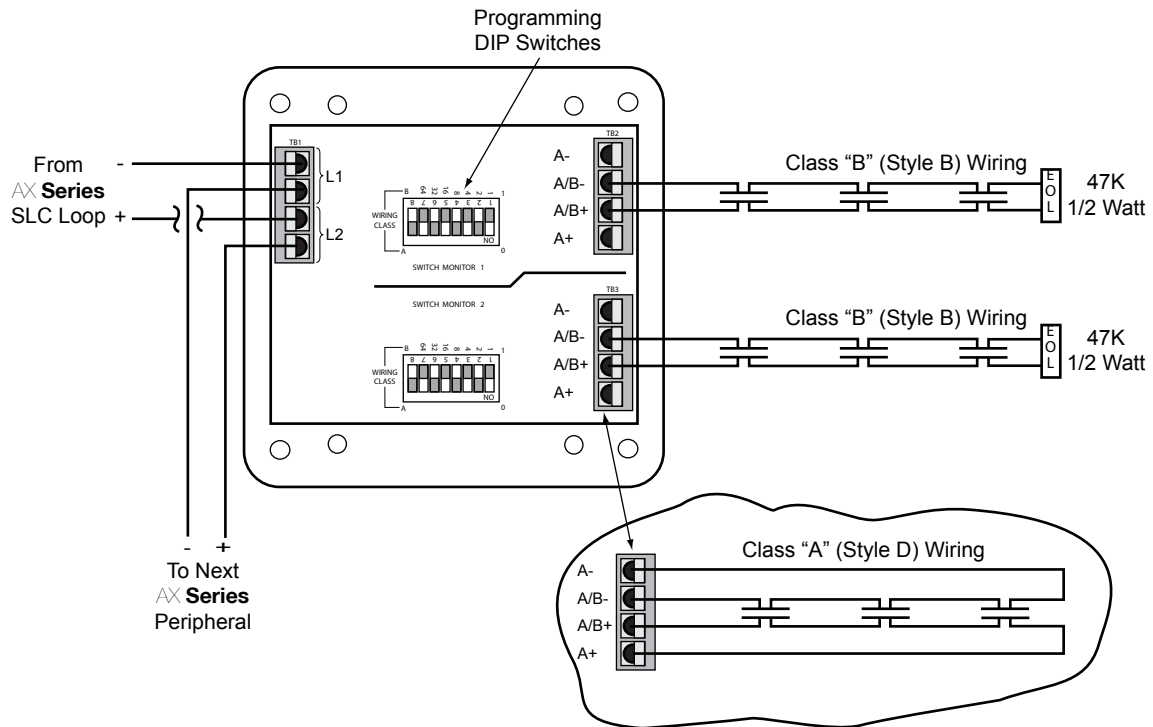
Features:

- Two Independent Initiating Device Circuits (IDC)
- Class A or B Wiring
- Dedicated IDC Activation Status LEDs

Listings and Approvals:

- ETL ANSI/UL 864 Listed: 3118002NYM-001B
- UL file: UOXX.S7003 / ML file: S24460
- CSFM Approved: 7300-1713:112

Dual Switch Monitor - 55000-790ADV



Ordering Information

55000-790ADV Dual Switch Monitor

Dual Switch Monitor Specifications

Voltage	17-28 VDC, w/Communication Pulses 5-9VDC
Operating Current	
Quiescent	0.85 mA
Alarm	0.85 mA
w/LED's	5.85 mA
Line Impedance	100 Ω
Wiring Classification	Class A or Class B
End-of-Line Resistor	47 KΩ, 0.5 Watt (Class "B" only)
Wiring	Screw In-Out Terminals
Mounting	4" Square or 2-Gang Electrical Outlet Box
Dimensions (Diameter & Height)	4 1/2"W x 4 1/2"H x 1"D
Weight	2.8 oz
Operating Temperature	32°-120° F (0°-49° C)
Humidity	10-93% (non-condensing)

As our policy is one of constant product improvement the right is therefore reserved to modify product specifications without prior notice.



Advanced Fire Systems Inc
100 South Street, Hopkinton, MA 01748

Tel: (508) 435-9995
Fax: (508) 435-9990
Email: usa@advancedco.com
Web: www.advancedco.com